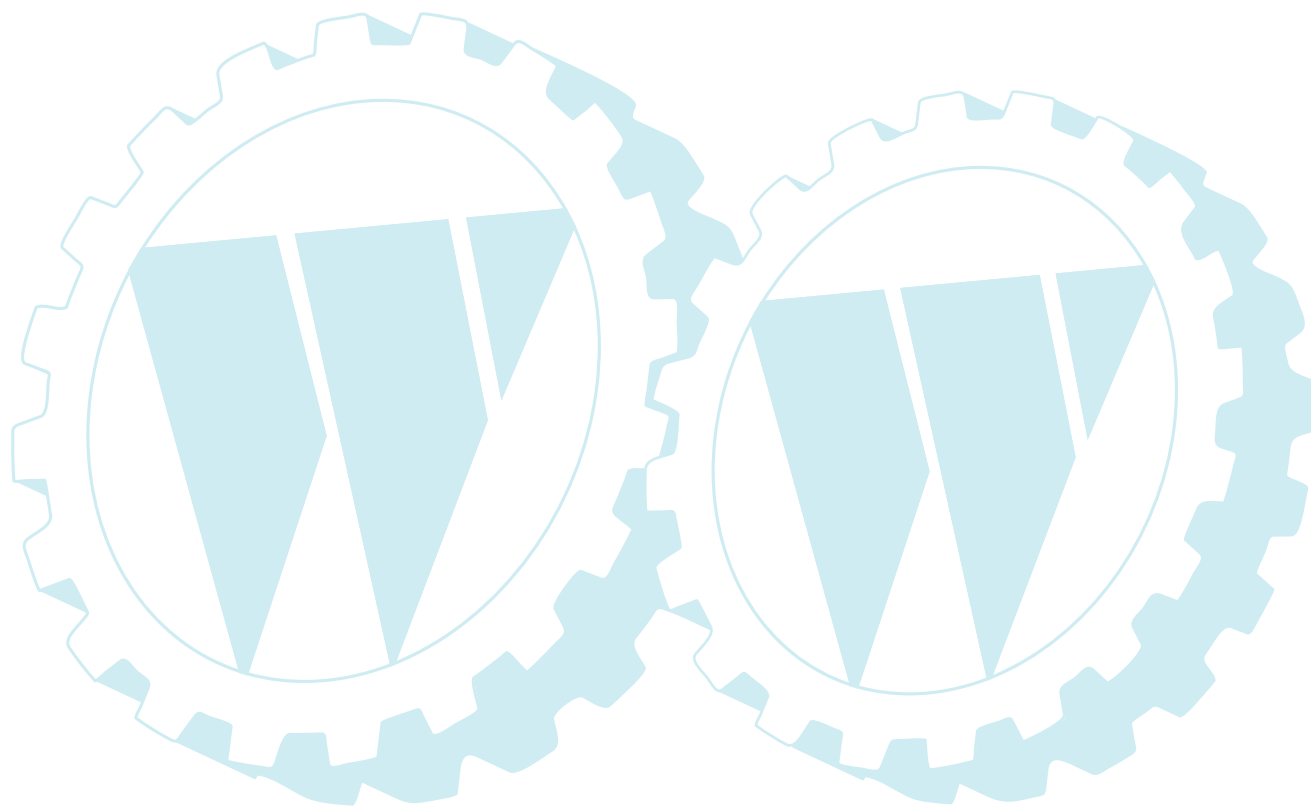


# **ILLUSTRATED PARTS LIST**

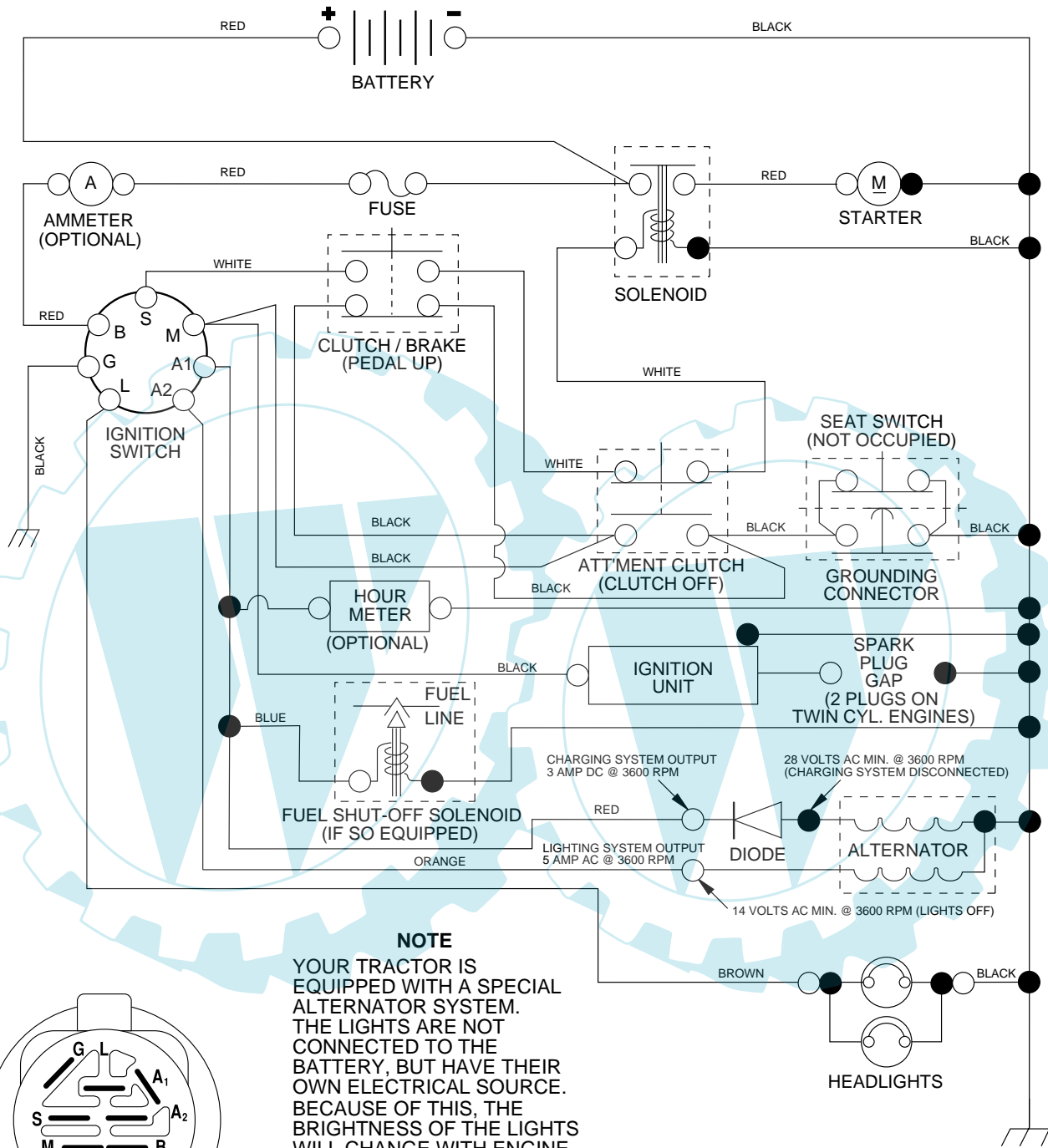
**MODEL NO. 96011002301**

**CUSTOMER CATALOG NO. UN15542SBHK**

**PRODUCT NO. 960 11 00-23**

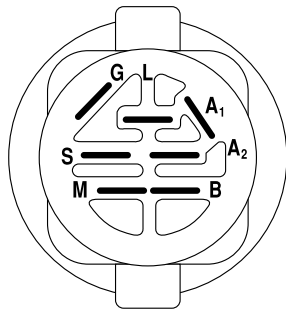


**TRACTOR-MODEL NO. UN15542SBHK (96011002301), PRODUCT NO. 960 11 23-01  
SCHEMATIC**



**NOTE**

YOUR TRACTOR IS EQUIPPED WITH A SPECIAL ALTERNATOR SYSTEM. THE LIGHTS ARE NOT CONNECTED TO THE BATTERY, BUT HAVE THEIR OWN ELECTRICAL SOURCE. BECAUSE OF THIS, THE BRIGHTNESS OF THE LIGHTS WILL CHANGE WITH ENGINE SPEED. AT IDLE THE LIGHTS WILL DIM. AS THE ENGINE IS SPEEDED UP, THE LIGHTS WILL BECOME THEIR BRIGHTEST.



**IGNITION SWITCH**

| POSITION  | CIRCUIT    | "MAKE" |
|-----------|------------|--------|
| OFF       | M+G+A1     | NONE   |
| RUN/LIGHT | B+A1       | A2+L   |
| RUN       | B+A1       | NONE   |
| START     | B + S + A1 | NONE   |

**WIRING INSULATED CLIPS**

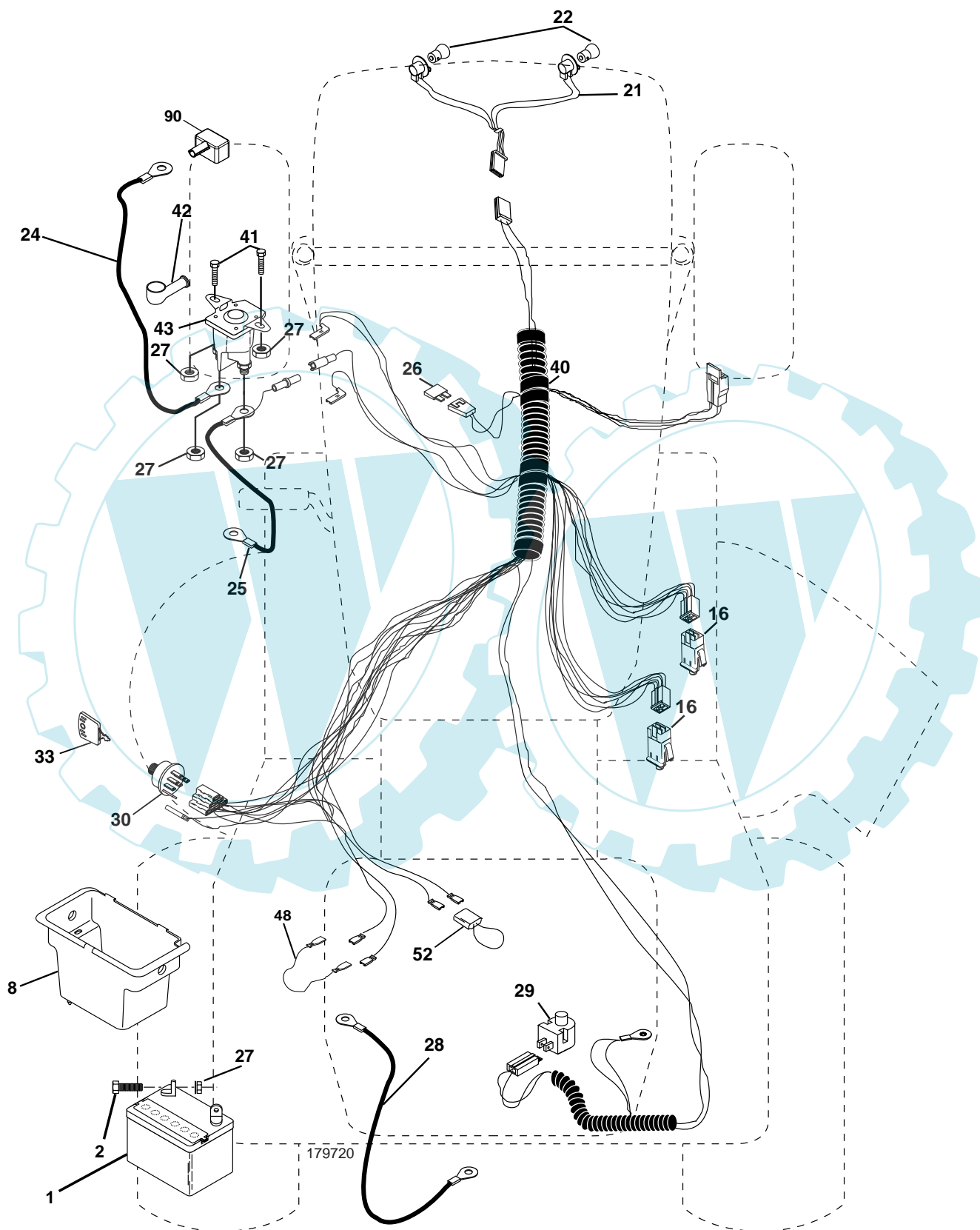
**NOTE:** IF WIRING INSULATED CLIPS WERE REMOVED FOR SERVICING OF UNIT, THEY SHOULD BE REPLACED TO PROPERLY SECURE YOUR WIRING.

NON-REMOVABLE CONNECTIONS

REMOVABLE CONNECTIONS

# REPAIR PARTS

TRACTOR-MODEL NO. UN15542SBHK (96011002301), PRODUCT NO. 960 11 23-01  
ELECTRICAL



## REPAIR PARTS

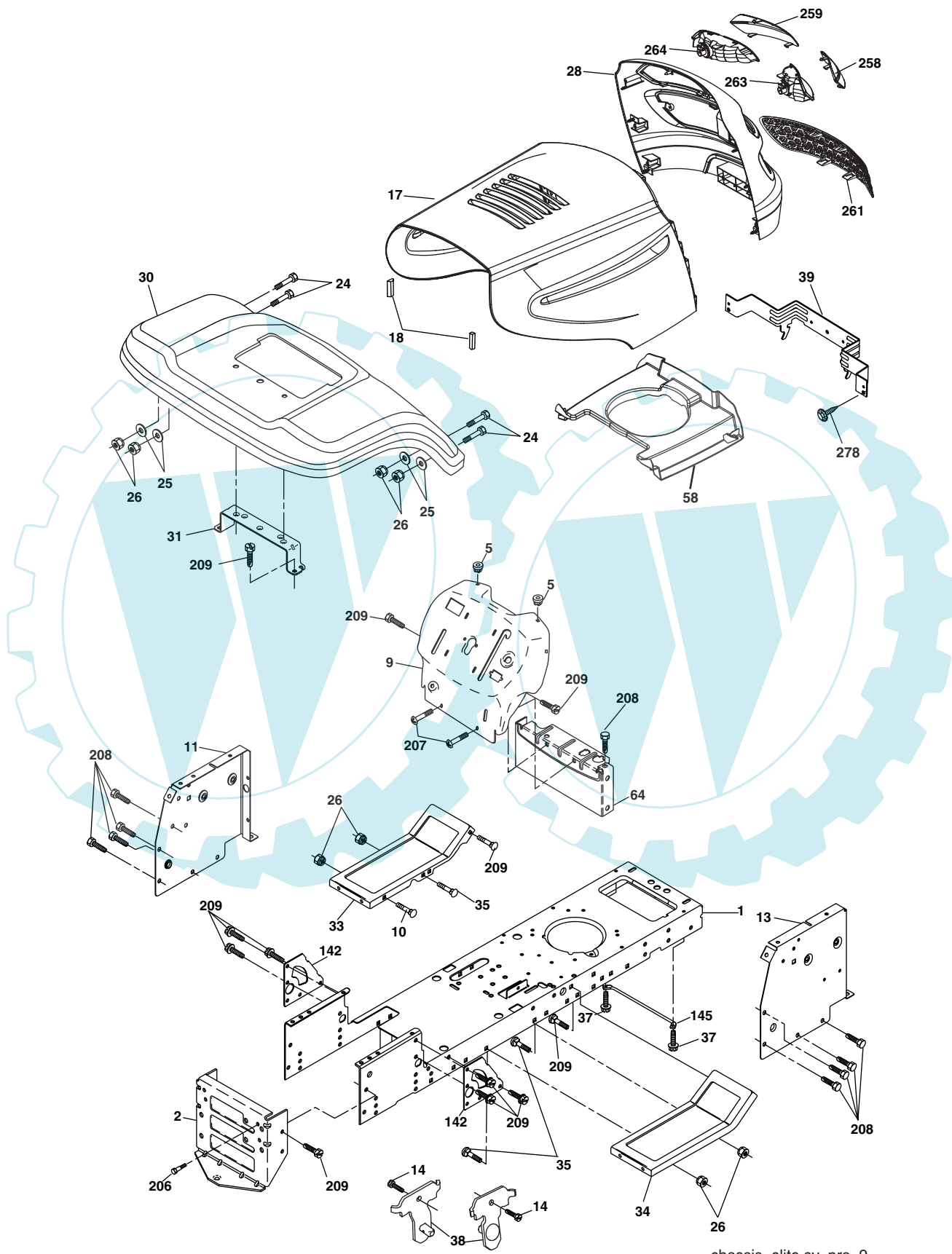
TRACTOR-MODEL NO. UN15542SBHK (96011002301), PRODUCT NO. 960 11 23-01  
ELECTRICAL

| KEY NO. | PART NO.     | DESCRIPTION                           |
|---------|--------------|---------------------------------------|
| 1       | 532 16 34-65 | Battery 12 Volt 28 AMP                |
| 2       | 874 76 04-12 | Bolt Hex Hd 1/4-20 unc x 3/4          |
| 8       | 532 17 66-89 | Battery Box                           |
| 16      | 532 17 61-38 | Switch Interlock Push-In              |
| 21      | 532 18 37-59 | Harness Asm Light W/4152j             |
| 22      | 532 00 41-52 | Bulb Light #1156                      |
| 24      | 532 12 47-80 | Cable Battery 6 Ga. 11" red           |
| 25      | 532 14 61-47 | Cable Battery 6 Ga. 44" red w/16 wire |
| 26      | 532 17 51-58 | Fuse 20 AMP                           |
| 27      | 873 51 04-00 | Nut Keps Hex 1/4-20 unc               |
| 28      | 532 12 47-73 | Cable Ground 6 Ga. 12" black          |
| 29      | 532 12 13-05 | Switch Seat                           |
| 30      | 532 17 55-66 | Switch Ign                            |
| 33      | 532 14 04-01 | Key Ign Molded Generic                |
| 40      | 532 17 97-20 | Harness Ign.                          |
| 41      | 871 11 04-08 | Bolt Blk Fin Hex 1/4 - 20 x 1/2       |
| 42      | 532 13 15-63 | Cover Terminal Red                    |
| 43      | 532 17 88-61 | Solenoid                              |
| 48      | 532 14 08-44 | Adapter Ammeter Rectangular           |
| 52      | 532 14 19-40 | Protection Wire Loop                  |
| 90      | 532 18 04-49 | Cover Terminal Battery                |

**NOTE:** All component dimensions given in U.S. inches.  
1 inch = 25.4 mm.

# REPAIR PARTS

TRACTOR-MODEL NO. UN15542SBHK (96011002301), PRODUCT NO. 960 11 23-01  
CHASSIS AND ENCLOSURES



chassis\_elite sv\_pro\_9

## REPAIR PARTS

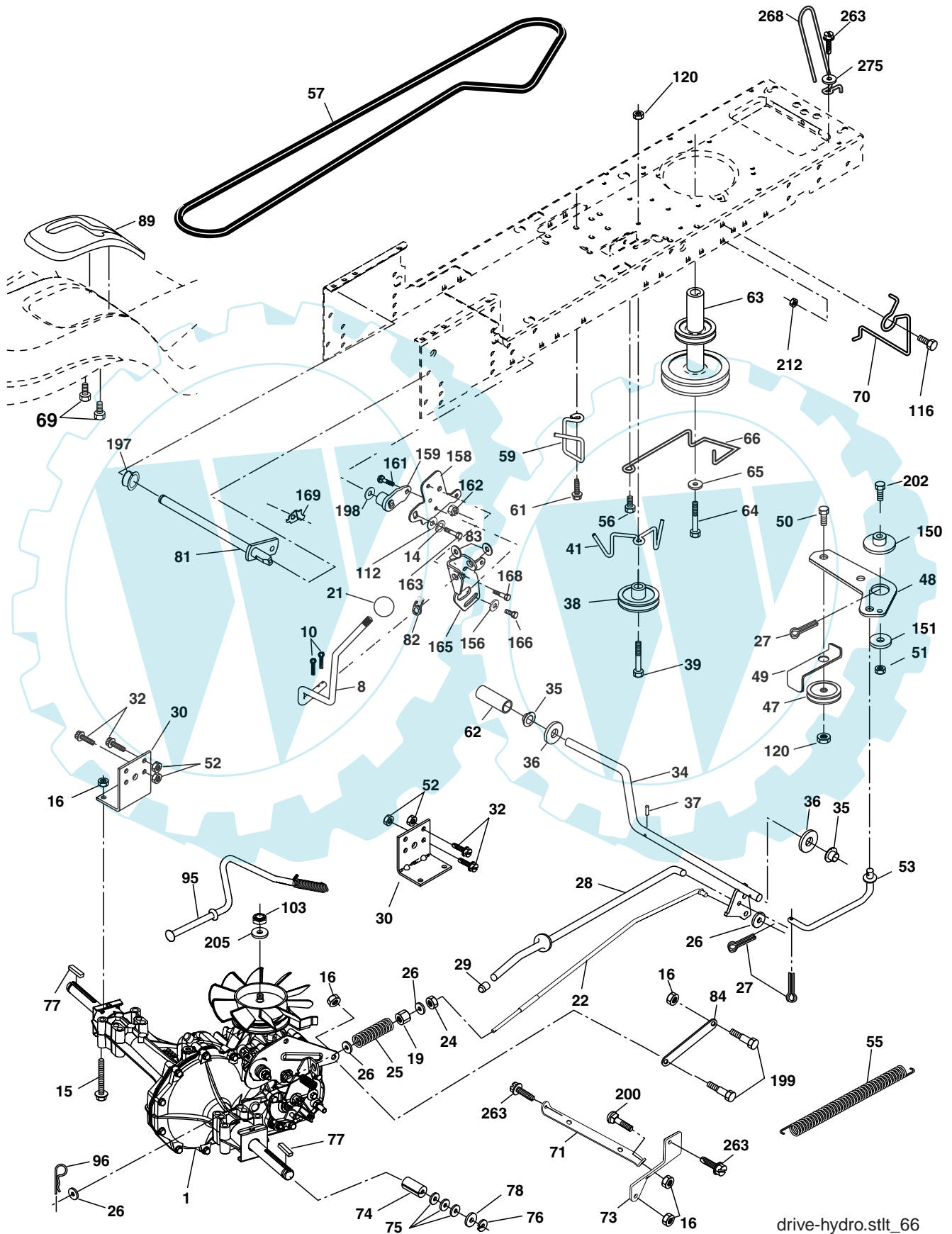
TRACTOR-MODEL NO. UN15542SBHK (96011002301), PRODUCT NO. 960 11 23-01  
CHASSIS AND ENCLOSURES

| KEY NO. | PART NO.     | DESCRIPTION  |
|---------|--------------|--|
| 1       | 532 17 46-19 | Chassis Stamping                                       |
| 2       | 532 17 65-54 | Drawbar  |
| 5       | 532 15 52-72 | Bumper Hood/Dash                                       |
| 9       | 532 19 48-22 | Dash   |
| 10      | 872 14 06-08 | Bolt Carriage 3/8-16 x 1                               |
| 11      | 532 17 49-96 | Panel Dash Lh  |
| 13      | 532 18 69-52 | Panel Dash Rh  |
| 14      | 817 49 06-08 | Screw Thdrol 3/8-16 x 1/2                              |
| 17      | 532 18 67-07 | Hood   |
| 18      | 532 18 49-21 | Bumper Hood  |
| 24      | 874 78 06-16 | Bolt Fin Hex 3/8-16 unc x 1 Gr. 5                      |
| 25      | 819 13 13-12 | Washer 13/32 X 13/16 X 12 Ga.                          |
| 26      | 873 80 06-00 | Nut Lock Hex W/Ins 3/8-16 unc                          |
| 28      | 532 18 82-24 | Grille Asm. (Includes Key #'s 258, 259, 261, 263, 264) |
| 30      | 532 19 57-70 | Fender   |
| 31      | 532 13 66-19 | Bracket Fender   |
| 33      | 532 18 11-93 | Footrest LH  |
| 34      | 532 18 11-94 | Footrest RH  |
| 35      | 872 11 06-06 | Bolt Rdhd Sqnk 3/8-16 x 3/4                            |
| 37      | 817 49 05-08 | Screw Thdrol 5/16-18 x 1/2 TYT                         |
| 38      | 532 17 57-10 | Bracket Asm Pivot Mower Rear                           |
| 39      | 532 17 47-14 | Bracket Pivot Laser                                    |
| 58      | 532 15 01-27 | Duct Air Engine  |
| 60      | 872 14 06-06 | Bolt RDHD SQNK 3/8-1.6 UNC x 3/4                       |
| 64      | 532 15 47-98 | Dash Lower   |
| 74      | 873 68 06-00 | Nut Lock 3/8-16 UNC                                    |
| 142     | 532 17 57-02 | Plate Reinforcement                                    |
| 143     | 532 18 66-89 | Bracket Swaybar Chassis                                |
| 145     | 532 15 65-24 | Rod Pivot Chassis/Hood                                 |
| 206     | 532 17 01-65 | Bolt Shoulder 5/16-18 TT                               |
| 207     | 817 67 05-08 | Screw Thdrol 5/16-18 X 1/2                             |
| 208     | 817 67 06-08 | Screw Thdrol 3/8-16 x 1/2 TYT BI                       |
| 209     | 817 00 06-12 | Screw Hexwsh Thdr 3/8-16 x 3/4                         |
| 258     | 532 18 97-55 | Lens Grille Pro RH                                     |
| 259     | 532 18 97-54 | Lens Grille Pro LH                                     |
| 261     | 532 18 97-53 | Insert Grille Pro                                      |
| 263     | 532 18 38-33 | Bezel Grille Pro RH                                    |
| 264     | 532 18 38-32 | Bezel Grille Pro LH                                    |
| 278     | 532 19 16-11 | Screw 10 x 3/4 Single Lead                             |
| --      | 532 00 54-79 | Plug Button  |
| --      | 532 19 39-35 | Plug Switch Light                                      |

**NOTE:** All component dimensions given in U.S. inches  
1 inch = 25.4 mm

# REPAIR PARTS

TRACTOR-MODEL NO. UN15542SBHK (96011002301), PRODUCT NO. 960 11 23-01  
DRIVE



drive-hydro.stlt\_66

# REPAIR PARTS

TRACTOR-MODEL NO. UN15542SBHK (96011002301), PRODUCT NO. 960 11 23-01  
DRIVE

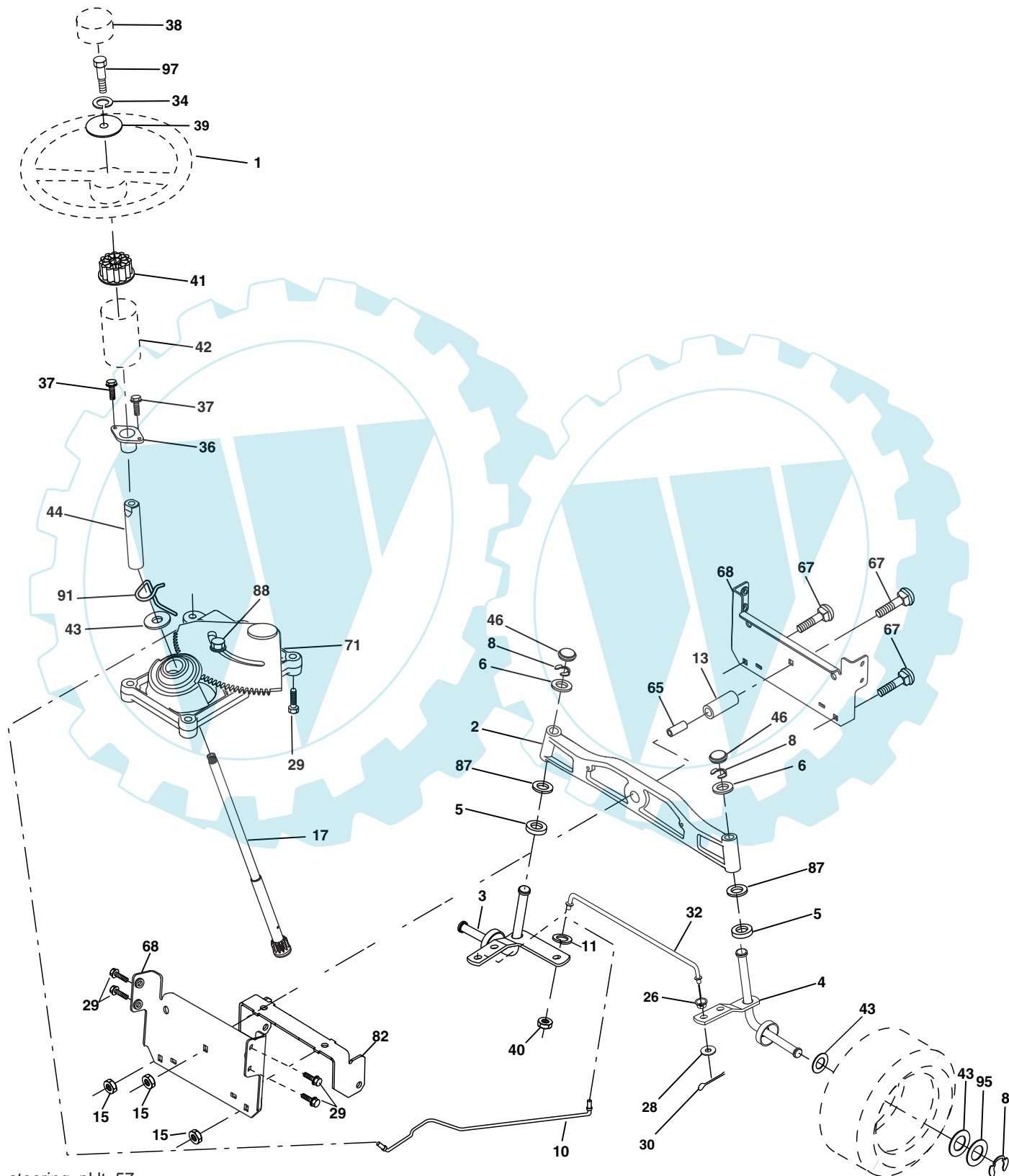
| KEY NO. | PART NO.     | DESCRIPTION  | KEY NO. | PART NO.     | DESCRIPTION                          |
|---------|--------------|--|---------|--------------|--------------------------------------|
| 1       | -----        | Transaxle Hydro Gr 322-0510<br>(Order parts from transaxle manufacturer) | 70      | 532 18 02-18 | Guide Belt Mower Drive RH            |
| 8       | 532 19 27-06 | Rod Shift Fender   | 71      | 532 16 91-83 | Strap Torque Lh Hydro                |
| 10      | 876 02 04-16 | Pin Cotter 1/8 x 1 CAD   | 73      | 532 16 91-82 | Strap Torque Rh Hydro                |
| 14      | 810 04 04-00 | Washer Lock Hvy Helical 1/4  | 74      | 532 13 70-57 | Spacer, Axle                         |
| 15      | 874 49 05-44 | Bolt Hex Flg Hd 5/16-18 x Gr. 5  | 75      | 532 12 17-49 | Washer 25/32 x 1-1/4 x 16 Gauge      |
| 16      | 873 80 05-00 | Nut Lock Hex W/Ins. 5/16-18 unc P  | 76      | 812 00 00-01 | E-Ring                               |
| 19      | 873 80 06-00 | Nut Lock Hex W/Wsh 3/8-16 unc  | 77      | 532 12 35-83 | Key, Square                          |
| 21      | 532 10 69-33 | Knob   | 78      | 532 12 17-48 | Washer 25/32 x 1-5/8 x 16 Gauge      |
| 22      | 532 16 94-98 | Rod, Brake Hydro   | 81      | 532 16 55-96 | Shaft Asm. Cross Hydro               |
| 24      | 873 35 06-00 | Nut  | 82      | 532 16 57-11 | Spring Torsion T/A                   |
| 25      | 532 10 68-88 | Spring, Brake Rod  | 83      | 819 17 12-16 | Washer 17/32 x 3/4 x 16 Ga.          |
| 26      | 819 13 13-16 | Washer   | 84      | 532 16 98-43 | Link Transaxle                       |
| 27      | 876 02 04-12 | Pin Cotter 1/8 x 3/4 CAD.  | 89      | 532 19 49-72 | Console, Shift                       |
| 28      | 532 17 57-65 | Rod, Parking Brake   | 95      | 532 17 02-01 | Control Asm Bypass Hydro             |
| 29      | 532 07 16-73 | Cap, Parking Brake   | 96      | 532 12 47-88 | Retainer Spring 1" Zinc/Cad          |
| 30      | 532 17 49-73 | Bracket, Transaxle   | 103     | 873 94 08-00 | Nut Hex Jam Toplock 1/2-20 unf       |
| 32      | 874 76 05-12 | Bolt Hex Hd 5/16-18 unc x 3/4  | 112     | 819 09 12-10 | Washer 9/32 x 3/4 x 10 Ga.           |
| 34      | 532 17 55-78 | Shaft, Foot Pedal  | 116     | 872 14 06-08 | Bolt 3/8-16 Unc x 1                  |
| 35      | 532 12 01-83 | Bearing, Nylon   | 120     | 873 90 06-00 | Nut Lock 3/8-16 Unc                  |
| 36      | 819 21 16-16 | Washer   | 150     | 532 17 54-56 | Spacer Retainer                      |
| 37      | 532 12 49-63 | Pin, Roll  | 151     | 819 13 32-10 | Washer 13/32 x 2 x 10 Ga.            |
| 38      | 532 17 91-14 | Pulley, Idler, Composite   | 156     | 532 16 60-02 | Washer Srrtd 5/16 ID x 1.0 x .125 Tk |
| 39      | 872 11 06-22 | Bolt RDHD 3/8-16 unc x 2-3/4 Gr. 5                                       | 158     | 532 16 55-89 | Bracket Shift Mount                  |
| 41      | 532 17 55-56 | Keeper, Belt Idler   | 159     | 532 18 39-00 | Hub Tapered Flange Shift LT          |
| 47      | 532 12 77-83 | Pulley, Idler, V-Groove  | 161     | 872 14 04-06 | Bolt Rdhd Sqnk 1/4-20 x 3/4 Gr. 5    |
| 48      | 532 15 44-07 | Bellcrank Clutch Grnd Drv Stl  | 162     | 873 68 04-00 | Nut Crownlock 1/4-20 Unc             |
| 49      | 532 12 32-05 | Retainer, Belt   | 163     | 874 78 04-16 | Bolt Hex Fin 1/4-20 unc x 1 Gr. 5    |
| 50      | 872 11 06-12 | Bolt Carr. Sh 3/8-16 x 1-1/2 Gr. 5                                       | 165     | 532 16 56-23 | Bracket Pivot Lever                  |
| 51      | 873 68 06-00 | Nut Crownlock 3/8-16   | 166     | 817 49 05-10 | Screw 5/16-18 x 5/8                  |
| 52      | 873 68 05-00 | Nut Crownlock 5/16-18  | 168     | 532 16 54-92 | Bolt Shoulder 5/16-18 x .561 TT      |
| 53      | 532 10 57-10 | Link, Clutch   | 169     | 532 16 55-80 | Plate Fastening                      |
| 55      | 532 10 57-09 | Spring, Return, Clutch   | 197     | 532 16 96-13 | Nyliner Snap-In 5/8" ID              |
| 56      | 874 76 06-20 | Bolt Fin Hex 3/8-16 unc x 1-1/4  | 198     | 532 16 95-93 | Washer Nyl 7/8 ID x .105 HYD CRD     |
| 57      | 532 14 02-94 | V-Belt, Ground Drive   | 199     | 532 16 96-12 | Bolt Shoulder 5/16-18 unc            |
| 59      | 532 16 96-91 | Keeper, Center Span  | 200     | 872 14 05-08 | Bolt Rdhd Sqnk 5/16-18 unc x 1       |
| 61      | 817 12 06-14 | Screw 3/8-16 x .875  | 202     | 872 11 06-14 | Bolt Carr Sh 3/8-16 x 1-3/4 Gr. 5    |
| 62      | 532 12 48-72 | Cover, Pedal   | 205     | 819 17 16-16 | Washer 17/32 x 1 x 16 Ga.            |
| 63      | 532 18 02-19 | Pulley, Eng  | 212     | 532 14 52-12 | Nut Hexflange Lock                   |
| 64      | 532 17 39-37 | Bolt Hex 7/16-20 x 4 Gr. 5 - 1.5 THR                                     | 263     | 817 00 06-12 | Screw Hex Wsh Thdr. 3/8-16 x 3       |
| 65      | 810 04 07-00 | Washer   | 268     | 532 18 24-02 | Guard Muffler RH                     |
| 66      | 532 15 47-78 | Keeper Belt Engine   | 275     | 819 13 16-14 | Washer 13/32 x 1 x 14 Ga.            |
| 69      | 532 14 24-32 | Screw Hex Wsh 1/4-1/2 unc  |         |              |                                      |

**NOTE:** All component dimensions given in U.S. inches  
1 inch = 25.4 mm



# REPAIR PARTS

TRACTOR-MODEL NO. UN15542SBHK (96011002301), PRODUCT NO. 960 11 23-01  
STEERING ASSEMBLY



steering\_pl.lt\_57

## REPAIR PARTS

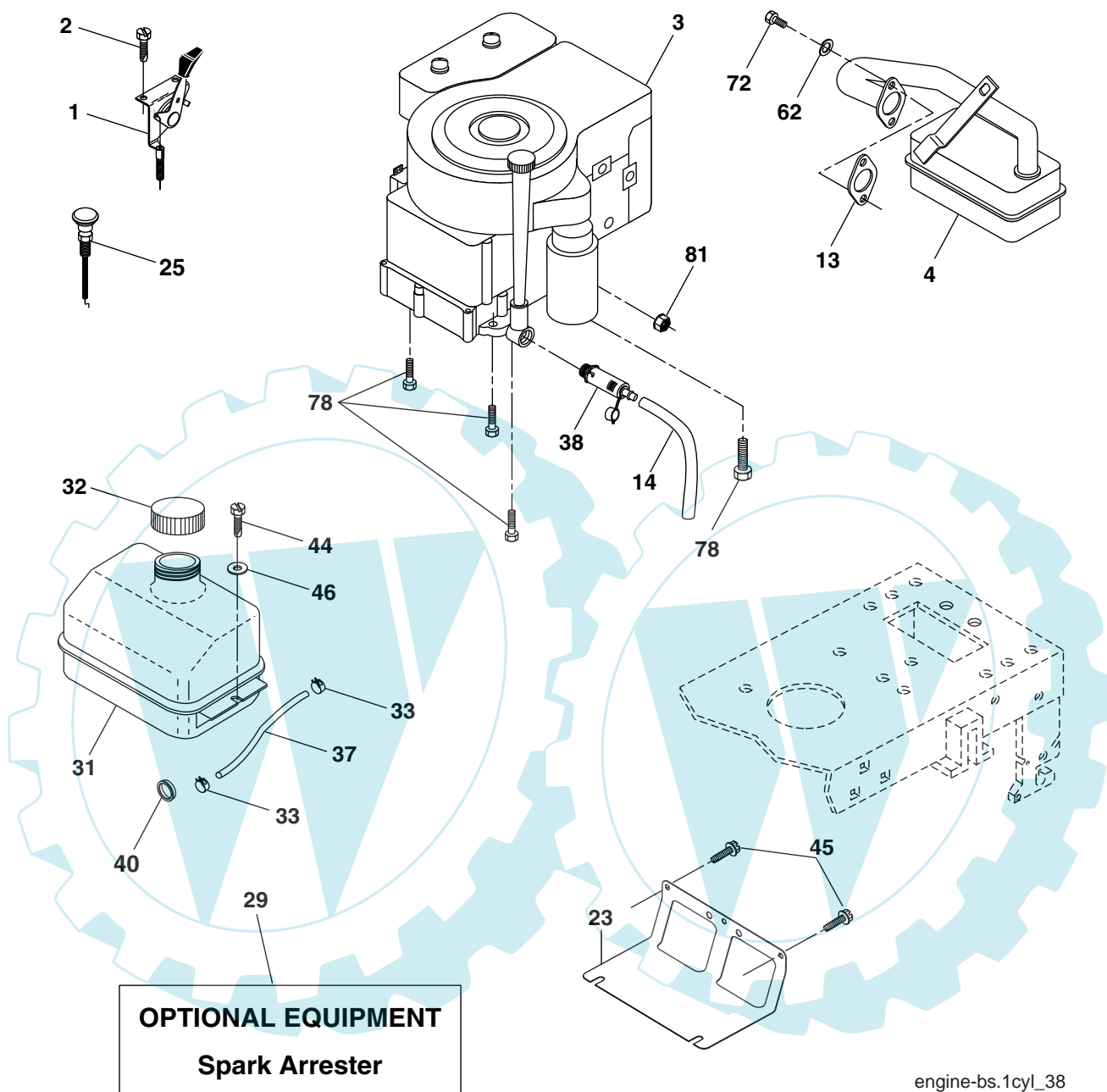
TRACTOR-MODEL NO. UN15542SBHK (96011002301), PRODUCT NO. 960 11 23-01  
STEERING ASSEMBLY

| KEY NO. | PART NO.            | DESCRIPTION                       |
|---------|---------------------|-----------------------------------|
| 1       | 532 19 45-95        | Wheel Steering                    |
| 2       | 532 18 47-06        | Axle Asm                          |
| 3       | 532 16 98-40        | Spindle Asm LH                    |
| 4       | 532 16 98-39        | Spindle Asm RH                    |
| 5       | 532 12 49-31        | Bearing Race Thrust Harden        |
| 6       | 532 12 17-48        | Washer 25/32 X 1-5/8 X 16 Ga      |
| 8       | 812 00 00-29        | Ring Klip #t5304-75               |
| 10      | 532 17 51-21        | Link Drag                         |
| 11      | 810 04 06-00        | Washer Lock Hvy Hlcl Spr 3/8      |
| 13      | 532 13 65-18        | Spacer Brg Axle Front             |
| 15      | 532 14 52-12        | Nut Hex Flange Lock               |
| 17      | <b>532 19 07-53</b> | Shaft Asm Strg                    |
| 26      | 532 12 68-47        | Bushing Link Drag Blk LR          |
| 28      | 819 13 14-16        | Washer 13/32 X 7/8 X 16 Ga        |
| 29      | 817 00 06-12        | Screw 3/8-16x3/4                  |
| 30      | 876 02 04-12        | Pin Cotter 1/8 X 3/4 Cad          |
| 32      | 532 19 27-57        | Rod Tie                           |
| 34      | <b>810 04 05-00</b> | Washer Lock Hvy Hlcl Spr. 5/16    |
| 36      | 532 15 50-99        | Bushing Strg                      |
| 37      | 532 15 29-27        | Screw                             |
| 38      | 532 19 46-03        | Cap Strg Wh                       |
| 39      | <b>819 11 38-12</b> | Washer 11/32 ID x 2-3/8 OD 12 Ga. |
| 40      | 873 54 06-00        | Nut Crownlock 3/8-24              |
| 41      | 532 18 67-37        | Adaptor Wheel Strg                |
| 42      | 532 16 96-33        | Boot Steering Shaft               |
| 43      | 532 12 17-49        | Washer 25/32 X 1-1/4 X 16 Ga      |
| 44      | <b>532 19 07-52</b> | Extension Steering Shaft          |
| 46      | 532 12 12-32        | Cap Spindle Fr Top Blk            |
| 65      | 532 16 03-67        | Spacer Brace Axle                 |
| 67      | 872 11 06-18        | Bolt, Rdhd Sqnk 3/8-16 x 2-1/4    |
| 68      | 532 16 98-27        | Axle, Brace                       |
| 71      | 532 17 51-46        | Steering Asm.                     |
| 82      | 532 16 98-35        | Bracket Susp Chassis Front        |
| 87      | 532 17 39-66        | Washer Flat                       |
| 88      | 532 17 51-18        | Bolt Shoulder 7/16-20             |
| 91      | 532 17 55-53        | Clip Steering                     |
| 95      | 532 18 89-67        | Washer Harden .739 x 1.637 x 060  |
| 97      | <b>874 78 05-64</b> | Bolt 5/16-18 unc x 4"L Gr. 5      |

**NOTE:** All component dimensions given in U.S. inches.  
1 inch = 25.4 mm.

# REPAIR PARTS

TRACTOR-MODEL NO. UN15542SBHK (96011002301), PRODUCT NO. 960 11 23-01  
ENGINE



engine-bs.1cyl\_38

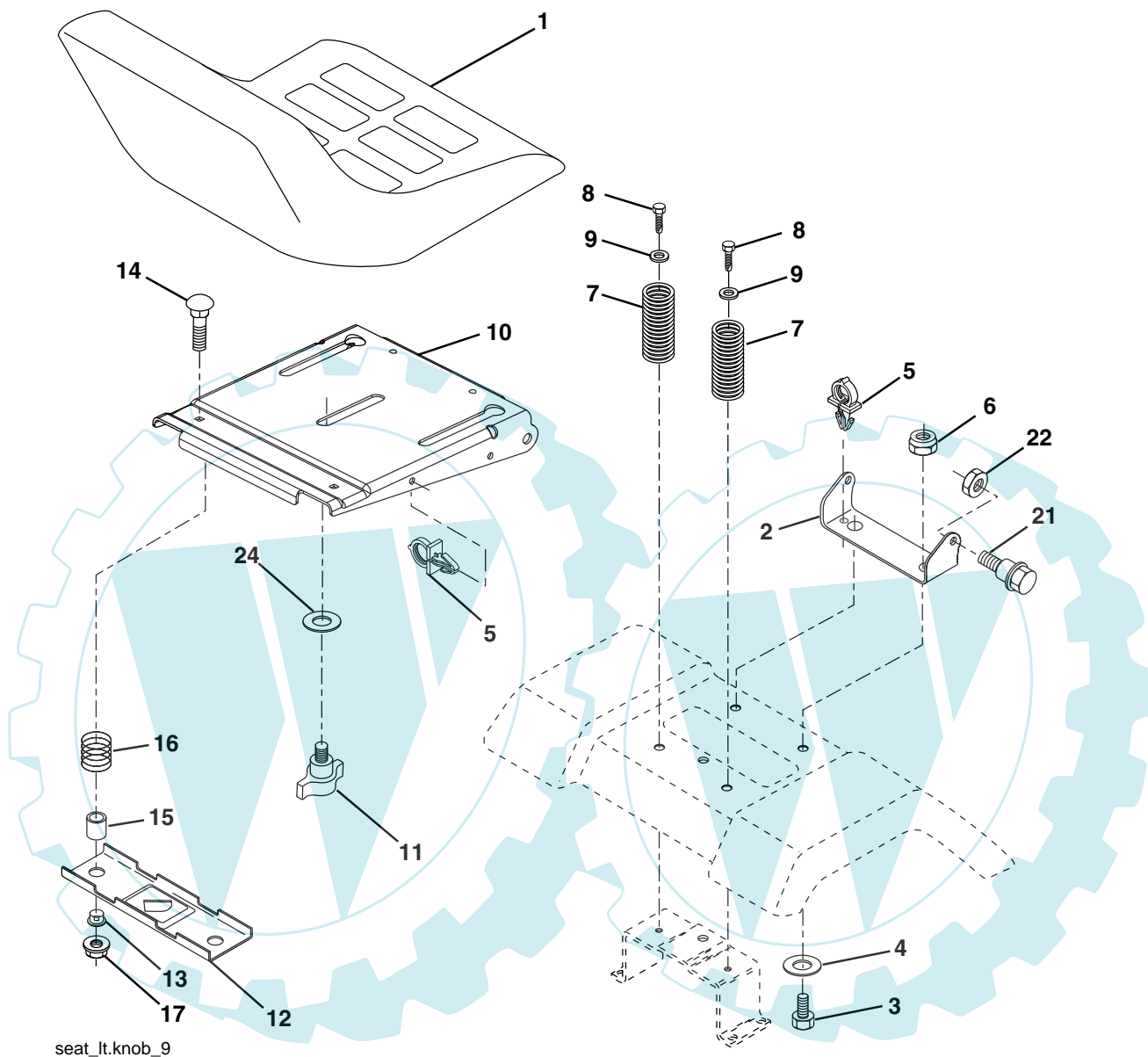
| KEY NO. | PART NO.     | DESCRIPTION   |
|---------|--------------|---|
| 1       | 532 17 05-51 | Control Th/ch Flag  |
| 2       | 817 72 04-08 | Screw Hex Thd Cut 1/4-20 x 1/2  |
| 3       | -----        | Engine B&S Model No. 282H07<br>(Order Parts From Engine Manufacturer) |
| 4       | 532 13 73-52 | Muffler   |
| 13      | 532 16 52-91 | Gasket Eng 1 313 Id Tin Plated  |
| 14      | 532 14 84-56 | Tube Drain Oil Easy   |
| 23      | 532 16 98-37 | Shield Brn/Dbk Guard  |
| 25      | 532 19 06-95 | Control Choke   |
| 29      | 532 13 71-80 | Kit Spark Arrestor (Flat Scrn)  |
| 31      | 532 18 77-50 | Tank Fuel Front   |
| 32      | 532 14 05-27 | Cap Asm Fuel W/sym Vented   |
| 33      | 532 12 34-87 | Clamp Hose Black  |

| KEY NO. | PART NO.     | DESCRIPTION                       |
|---------|--------------|-----------------------------------|
| 37      | 532 13 70-40 | Line Fuel 20"                     |
| 38      | 532 18 16-54 | Plug Drain Oil Easy               |
| 40      | 532 12 40-28 | Bushing Snap Nyl Blk Fuel Line    |
| 44      | 817 67 04-12 | Screw Hexwsh Thdrol 1/4-20 x 3/4  |
| 45      | 817 00 06-12 | Screw Hex Wsh Thdrol 3/8-16 x 3/4 |
| 46      | 819 09 14-16 | Washer 9/32 x 7/8 x 16 Ga.        |
| 62      | 810 01 05-00 | Washer Split                      |
| 72      | 871 07 05-12 | Screw Hex Hd Cap 5/16-18 x 3/4    |
| 78      | 817 06 06-20 | Screw 3/8-16 x 1-1/4              |
| 81      | 873 51 04-00 | Nut 1/4-20                        |

**NOTE:** All component dimensions given in U.S. inches  
1 inch = 25.4 mm

# REPAIR PARTS

TRACTOR-MODEL NO. UN15542SBHK (96011002301), PRODUCT NO. 960 11 23-01  
SEAT ASSEMBLY



seat\_lt.knob\_9

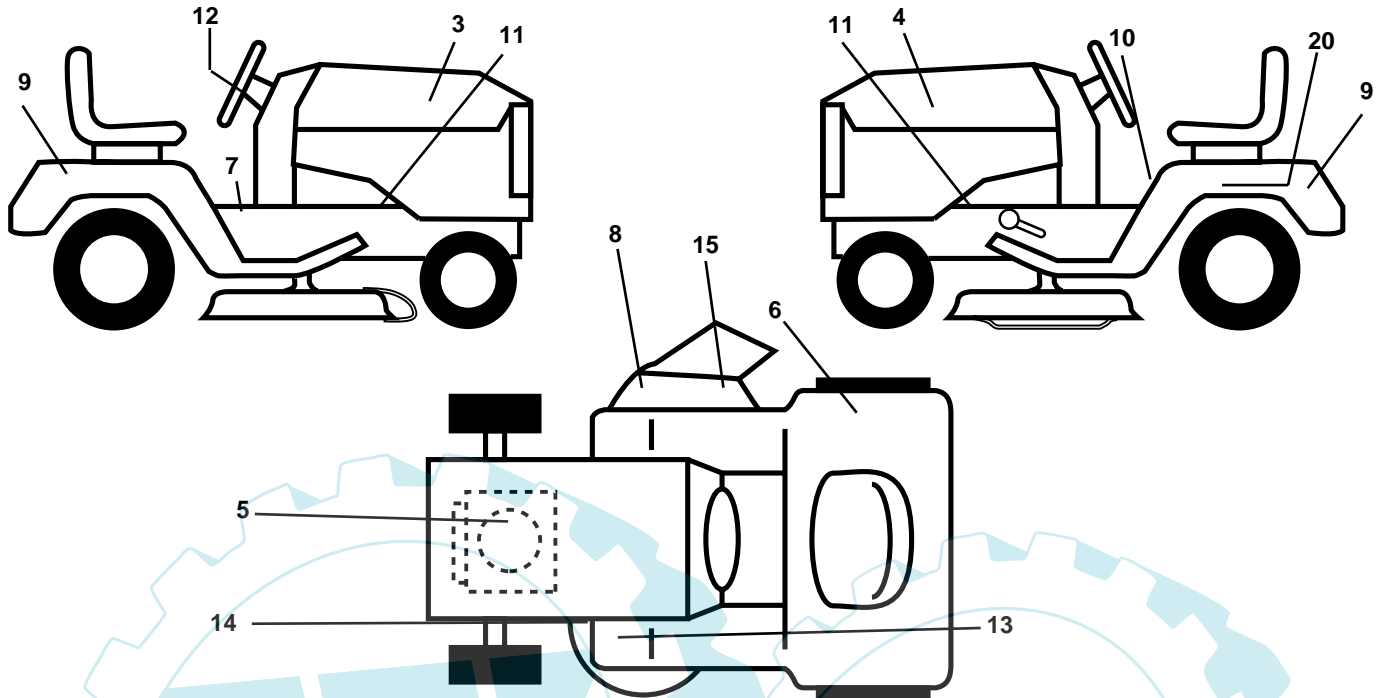
| KEY NO. | PART NO.     | DESCRIPTION                    |
|---------|--------------|--------------------------------|
| 1       | 532 18 87-06 | Seat                           |
| 2       | 532 18 01-66 | Bracket Pivot Seat             |
| 3       | 871 11 06-16 | Bolt Fin Hex 3/8-16 unc x 1    |
| 4       | 819 13 16-10 | Washer 13/32 x 1 x 10 Ga.      |
| 5       | 532 14 50-06 | Clip Push-In                   |
| 6       | 873 80 06-00 | Nut Hex w/Ins. 3/8-16 unc      |
| 7       | 532 12 41-81 | Spring Seat Cprsn 2 250 Blk Zi |
| 8       | 817 00 06-16 | Screw 3/8-16 x 1-1/2           |
| 9       | 819 13 16-14 | Washer 13/32 x 1 x 14 Ga.      |
| 10      | 532 18 01-86 | Pan Seat                       |
| 11      | 532 16 63-69 | Knob Seat                      |

| KEY NO. | PART NO.     | DESCRIPTION                     |
|---------|--------------|---------------------------------|
| 12      | 532 12 12-46 | Bracket Mounting Switch         |
| 13      | 532 12 12-48 | Bushing Snap Blk Nyl 50 Id      |
| 14      | 872 05 04-12 | Bolt Rdhd Sqnk 1/4-20 x 1-1/2   |
| 15      | 532 12 12-49 | Spacer Split                    |
| 16      | 532 12 37-40 | Spring Cprsn                    |
| 17      | 532 12 39-76 | Nut Lock 1/4 Lge Flg Gr. 5 Zinc |
| 21      | 532 17 18-52 | Bolt Shoulder 5/16-18 unc       |
| 22      | 873 80 05-00 | Nut Hex Lock W/Ins 5/16-18      |
| 24      | 819 17 19-12 | Washer 17/32 x 1-3/16 x 12 Ga.  |

**NOTE:** All component dimensions given in U.S. inches.  
1 inch = 25.4 mm

# REPAIR PARTS

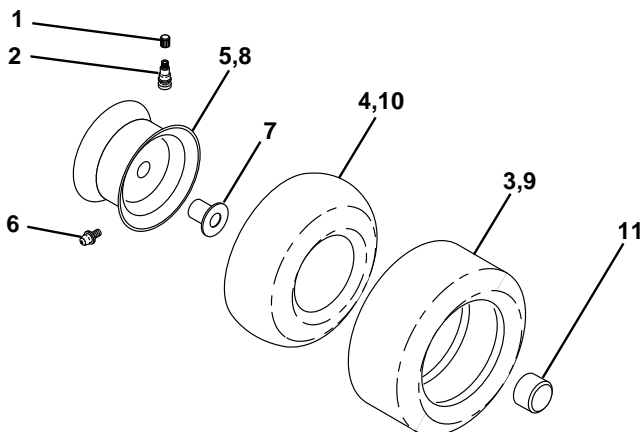
TRACTOR-MODEL NO. UN15542SBHK (96011002301), PRODUCT NO. 960 11 23-01  
DECALS



| KEY NO. | PART NO.     | DESCRIPTION                     |
|---------|--------------|---------------------------------|
| 3       | 532 18 96-05 | Decal Hood RH                   |
| 4       | 532 18 96-06 | Decal Hood LH                   |
| 5       | 532 18 47-69 | Decal HP Engine                 |
| 6       | 532 18 04-32 | Decal Fender 100 DB/CE          |
| 7       | 532 14 08-37 | Decal Saddle Brake              |
| 8       | 532 17 91-28 | Decal Deck "B" 42"              |
| 9       | 532 18 96-12 | Decal Fender Sides              |
| 10      | 532 14 54-98 | Decal Read Owner's Manual Syms. |
| 11      | 532 15 97-36 | Decal Chassis Hot Muffler       |
| 12      | 532 18 96-11 | Decal Wheel Steering            |

| KEY NO. | PART NO.            | DESCRIPTION                      |
|---------|---------------------|----------------------------------|
| 13      | 532 15 97-37        | Decal Brake/Clutch Symbol LT     |
| 14      | 532 16 03-96        | Decal V-Belt Schematic           |
| 15      | 532 18 21-66        | Decal Mower Cutfinger Symbol     |
| 20      | 532 14 50-05        | Decal Bat Dan/Psn                |
| --      | 532 16 25-98        | Decal Drawbar Load Limit         |
| --      | 532 16 69-60        | Decal By-Pass Lt Hydro           |
| --      | 532 13 83-11        | Decal Handle Lft Height Adjust   |
| --      | <b>532 19 44-32</b> | <b>Manual Operator's (Euro.)</b> |

## WHEELS & TIRES

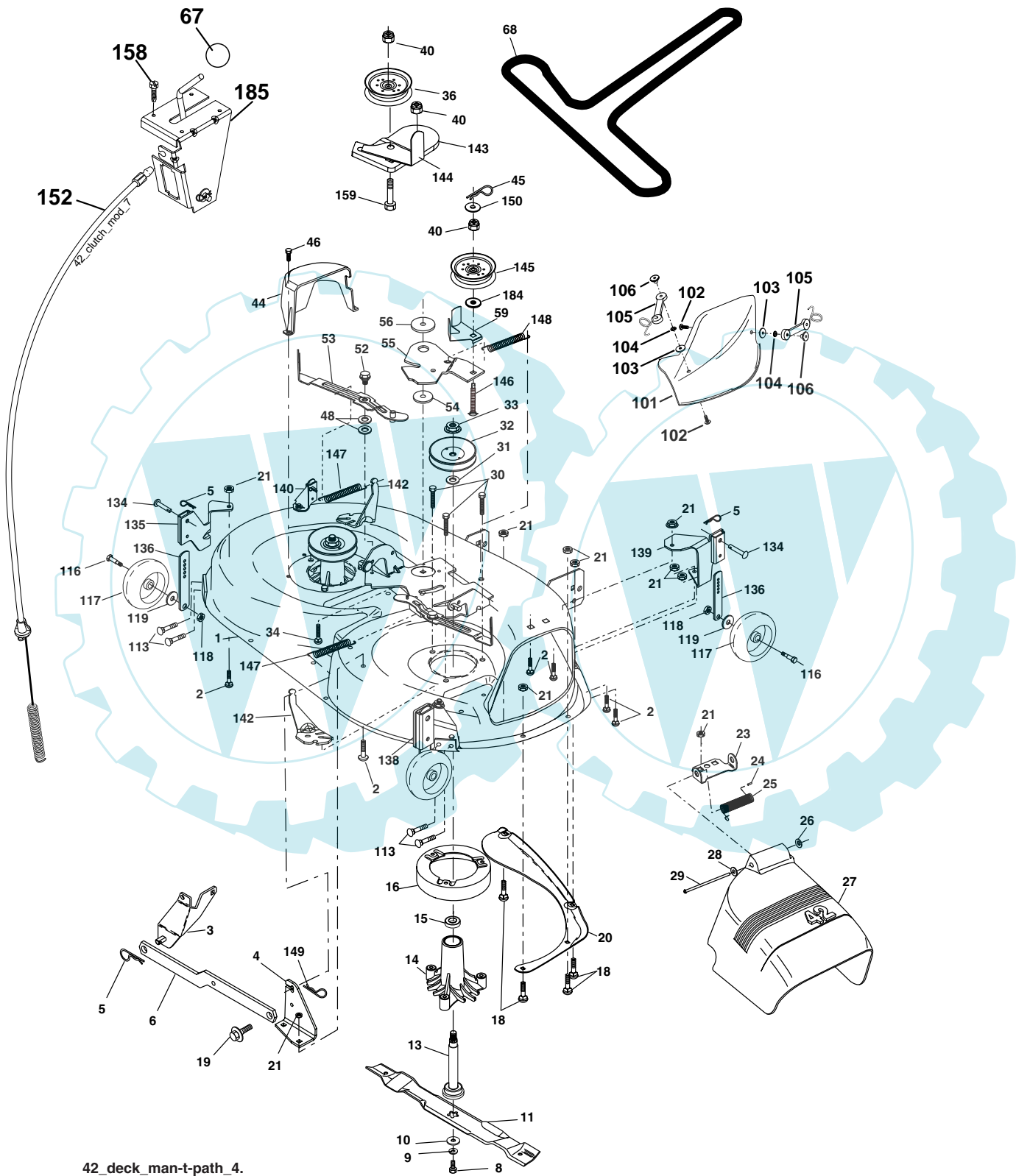


| KEY NO. | PART NO.     | DESCRIPTION                       |
|---------|--------------|-----------------------------------|
| 1       | 532 05 91-92 | Cap Valve Tire                    |
| 2       | 532 06 51-39 | Stem Valve                        |
| 3       | 532 12 41-57 | Tire F Ts 15 x 6 0 - 6 Service    |
| 4       | 532 05 99-04 | Tube Front (Service Item Only)    |
| 5       | 532 18 33-37 | Rim Asm 6"front Service           |
| 6       | 532 12 49-57 | Fitting Grease (Front Wheel Only) |
| 7       | 532 12 49-59 | Bearing Flange (Front Wheel Only) |
| 8       | 532 18 33-38 | Rim Asm 8"rear Service            |
| 9       | 532 12 39-69 | Tire R Ts 18 x 8.5-8 C Service    |
| 10      | 532 12 49-26 | Tube Rear (Service Item Only)     |
| 11      | 532 17 50-39 | Cap Axle Blk 1 50 x 1 00          |
| --      | 532 14 43-34 | Sealant, Tire ( 10 oz. Tube)      |

**NOTE:** All component dimensions given in U.S. inches  
1 inch = 25.4 mm

# REPAIR PARTS

TRACTOR-MODEL NO. UN15542SBHK (96011002301), PRODUCT NO. 960 11 23-01  
MOWER DECK



# REPAIR PARTS

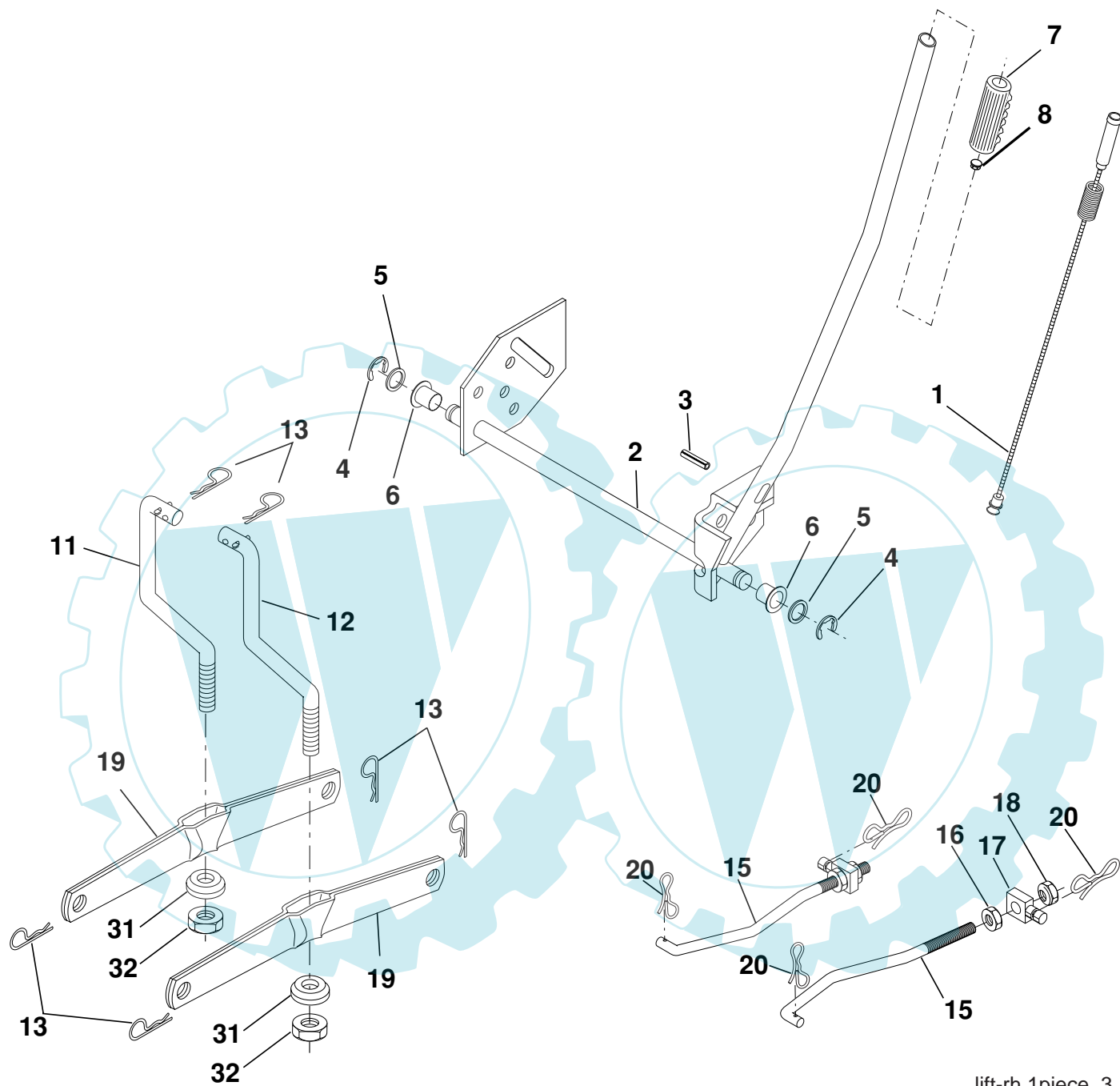
TRACTOR-MODEL NO. UN15542SBHK (96011002301), PRODUCT NO. 960 11 23-01  
MOWER DECK

| KEY NO. | PART NO.     | DESCRIPTION                                       | KEY NO. | PART NO.     | DESCRIPTION  |
|---------|--------------|---|---------|--------------|--|
| 1       | 532 18 20-32 | Deck Asm 42"weldment                              | 68      | 532 18 02-15 | V-Belt Mower 42"   |
| 2       | 872 14 05-06 | Bolt Rdhd Sqnk 5/16-18 unc x 3/4                  | 101     | 532 13 64-20 | Cover Mulching   |
| 3       | 532 13 80-17 | Bracket Asm Fr Sway Bar 38/42                     | 102     | 871 08 10-10 | Washer Lock #10  |
| 4       | 532 16 54-60 | Bracket Asm Deck 42"sway Bar                      | 103     | 819 06 12-16 | Washer #10   |
| 5       | 532 12 46-70 | Retainer Spring                                   | 104     | 810 07 10-00 | Screw Pan Head Phillip 10-24 x 5/8   |
| 6       | 532 17 80-24 | Bar Sway Deck                                     | 105     | 532 16 07-93 | Latch Asm.   |
| 8       | 532 85 08-57 | Bolt 3/8 - 24 x 1.25 Gr. 8                        | 106     | 532 12 50-04 | Nut Weld   |
| 9       | 810 03 06-00 | Washer Lock Hvy 3/8                               | 113     | 817 00 05-10 | Screw 5/16-18 x 3/4  |
| 10      | 532 14 02-96 | Washer Hard Blade Mower Vented                    | 116     | 532 19 34-06 | Bolt Shoulder 3/8-16 x 3-5/8   |
| 11      | 532 13 41-49 | Blade 42" Mulching Std (For mulching mowers only) | 117     | 532 17 48-73 | Wheel Gauge  |
| 13      | 532 13 76-45 | Shaft Asm W/lower Bearing                         | 118     | 873 93 06-00 | Nut Centerlock 3/8-16  |
| 14      | 532 12 87-74 | Housing Mandrel Vented                            | 119     | 819 12 14-14 | Washer 3/8 x 7/8   |
| 15      | 532 11 04-85 | Bearing Ball Mandrel                              | 134     | 532 15 69-41 | Pin Head Rivet   |
| 16      | 532 17 44-93 | Stripper Mower Vented                             | 135     | 532 15 97-65 | Bracket Asm Whl Ga. Rear LH  |
| 18      | 872 14 05-05 | Bolt Rdhd Sqnk 5/16-18 x 5/8                      | 136     | 532 15 59-86 | Bar Adjusting Guage Wheel  |
| 19      | 532 13 28-27 | Bolt Shoulder                                     | 138     | 532 15 97-63 | Bracket Asm Whl Ga. Rear RH  |
| 20      | 532 15 97-70 | Baffle Vortex 42                                  | 139     | 532 15 97-67 | Bracket Asm Whl Ga. Front RH   |
| 21      | 873 68 05-00 | Nut Crownlock 5/16-18 unc                         | 140     | 532 15 97-68 | Bracket Asm Whl Ga. Front LH   |
| 23      | 532 17 75-63 | Bracket Deflector Mower 42"                       | 142     | 532 16 58-90 | Arm Spring Brake Mower   |
| 24      | 532 10 53-04 | Cap Sleeve 80x 112 Blk Mower                      | 143     | 532 15 71-09 | Bracket Arm Idler 42"  |
| 25      | 532 12 37-13 | Spring Torsion Deflector 2 52                     | 144     | 532 15 86-34 | Keeper Belt 42" Clutch Idler   |
| 26      | 532 11 04-52 | Nut Push Phos & Oil                               | 145     | 532 16 58-88 | Pulley Idler Flat  |
| 27      | 532 17 18-59 | Shield Deflector Mower 42" Blk                    | 146     | 532 17 19-77 | Bolt Carriage Idler  |
| 28      | 819 11 10-16 | Washer 11/32 x 5/8 x 16 Ga.                       | 147     | 532 17 97-48 | Spring Extension   |
| 29      | 532 13 14-91 | Rod Hinge 42"6 75 Wlg                             | 148     | 532 16 90-22 | Spring Return Idler  |
| 30      | 532 17 39-84 | Screw Thd Rolling Washer Head                     | 149     | 532 16 98-98 | Retainer Spring Yellow   |
| 31      | 532 18 76-90 | Washer Spacer                                     | 150     | 819 09 12-10 | Washer 9/32 x 3/4 x 10 Ga.   |
| 32      | 532 15 35-35 | Pulley Mandrel 42"                                | 152     | 532 18 15-55 | Clutch Cable 42"   |
| 33      | 532 17 83-42 | Nut 9/16 Toplock Fling Oil Dip                    | 158     | 817 72 04-08 | Screw Hex Thd Cut 1/4-20 x 1/2   |
| 34      | 872 11 06-12 | Bolt Carr Sh 3/8-16 x 1-1/2 Gr. 5                 | 159     | 872 14 06-14 | Bolt Rdhd Sqn 3/8-16 unc x 1-3/4   |
| 36      | 532 13 14-94 | Pulley Idler Flat 3 060                           | 184     | 819 13 14-10 | Washer 13/32 x 7/8 x 10 Ga.  |
| 40      | 873 90 06-00 | Nut Lock FLG 3/8-16 unc                           | 185     | 532 18 82-34 | Head Asm Cable Clutch  |
| 44      | 532 14 00-88 | Guard Mandrel LH Black                            | --      | 532 13 07-94 | Mandrel Asm Service (Includes Housing, Shaft and Shaft Hardware Only-Pulley Not Included)  |
| 45      | 532 12 47-88 | Spring Retainer 1" Zinc/cad                       | --      | 532 18 76-94 | Replacement Mower, Complete (Std. deck-order separately mulch cover and gauge wheel components Key Nos. 101-106, 116-119,5, 134) |
| 46      | 532 13 77-29 | Screw Hex Thd Cut 1/4-20x5/8 T                    |         |              |  |
| 48      | 532 13 39-44 | Washer Hardened Smaller                           |         |              |  |
| 52      | 532 13 98-88 | Bolt Shoulder 5/16-18 unc Blkz                    |         |              |  |
| 53      | 532 18 49-07 | Arm Asm Pad Brake                                 |         |              |  |
| 54      | 532 17 85-15 | Washer Hardened                                   |         |              |  |
| 55      | 532 15 50-46 | Arm Idler 42"mower LT/YT                          |         |              |  |
| 56      | 532 16 57-23 | Spacer Retainer Mower                             |         |              |  |
| 59      | 532 14 10-43 | Guard TUV Idler                                   |         |              |  |
| 67      | 532 10 69-32 | Knob Rd 3/8-16 Plstc Thds Blk                     |         |              |  |

**NOTE:** All component dimensions given in U.S. inches  
1 inch = 25.4 mm

# REPAIR PARTS

TRACTOR-MODEL NO. UN15542SBHK (96011002301), PRODUCT NO. 960 11 23-01  
MOWER LIFT



lift-rh.1piece\_3

| KEY NO. | PART NO.     | DESCRIPTION                    |
|---------|--------------|--------------------------------|
| 1       | 532 15 94-61 | Wire Asm Inner W/plunger 17 32 |
| 2       | 532 15 94-76 | Shaft Asm Lift LH Inf Hgt P/L  |
| 3       | 532 18 88-22 | Pin Groove                     |
| 4       | 812 00 00-02 | E Ring #5133-62                |
| 5       | 819 21 16-21 | Washer 21/32 x 1 x 21 Ga.      |
| 6       | 532 12 01-83 | Bearing Nylon Blk 629 Id       |
| 7       | 532 10 94-13 | Grip Handle                    |
| 8       | 532 12 45-26 | Button Plunger                 |
| 11      | 532 13 98-65 | Link Lift LH                   |
| 12      | 532 13 98-66 | Link Lift RH                   |
| 13      | 532 12 46-70 | Retainer Spring                |

| KEY NO. | PART NO.            | DESCRIPTION                  |
|---------|---------------------|------------------------------|
| 15      | 532 17 32-88        | Link Front                   |
| 16      | 873 35 08-00        | Nut Jam Hex 1/2-13 unc       |
| 17      | 532 17 56-89        | Trunnion Blk Zinc            |
| 18      | 873 80 08-00        | Nut Lock W/wsh 1/2-13 unc    |
| 19      | 532 13 98-68        | Arm Suspension Rear          |
| 20      | <b>532 12 42-09</b> | Pin Cotter 7/16 Bow Tie Lock |
| 31      | 532 16 98-65        | Bearing pvt. Lift            |
| 32      | 873 54 06-00        | Nut Crownlock 3/8-24         |

**NOTE:** All component dimensions given in U.S. inches  
1 inch = 25.4 mm